

**SERVICE**  
**554A/B, 554F, 554AM, 554BM, 554AMP, AND 554BMP**  
**TELEPHONE SETS**  
**CONNECTIONS**

**1. GENERAL**

**1.01** This section contains information for the 554A/B (MD) (Fig. 1), 554F (MD) (Fig. 1), 554AM (MD) (Fig. 2), 554BM (MD) (Fig. 3), 554AMP (MD) (Fig. 4), and 554BMP (Fig. 5) telephone sets.

**1.02** Reissued to:

- Show 554A/B, 554F, 554AM, 554BM, and 554AMP telephone sets rated MD
- Add information on modifying 554BMP set for A Lead control
- Revise Table A.

**1.03** Refer to Table A for line and ringer connections.

**1.04** Refer to Fig. 6 for set modifications when used with a key telephone system.

**1.05** If a 28A ringer isolator is required, refer to the appropriate table in Section 501-375-101 for connection information. If a 603A ringing extender is required, refer to Section 501-380-102 for connection information. Whenever four party full selective or eight party semiselective ringing is required, refer to Section 501-320-100 for D-180697 Kit of Parts information.

**NOTICE**

Not for use or disclosure outside the  
Bell System except under written agreement

◆ TABLE A ◆

554A/B, 554F, 554AM, 554BM, 554AMP, AND 554BMP  
TELEPHONE SET LINE AND RINGER CONNECTIONS

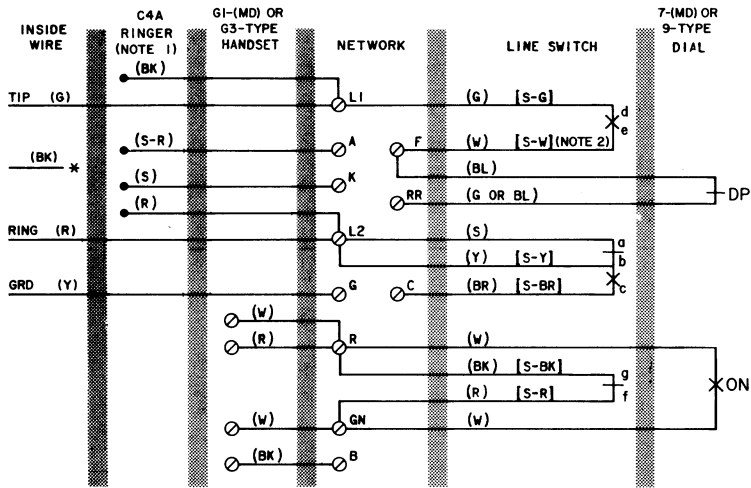
| WIRE OR LEAD                         |                    | COLOR | TERMINAL         |            |                        |                        |       |                             |       |
|--------------------------------------|--------------------|-------|------------------|------------|------------------------|------------------------|-------|-----------------------------|-------|
|                                      |                    |       | INDIV OR BRIDGED | RING PARTY | TIP PARTY NO IDENT GRD | TIP PARTY IDENT GROUND |       |                             |       |
|                                      |                    |       |                  |            |                        | NORMAL CONNECTIONS     |       | CONN TO L.L. EQUIP (NOTE 2) |       |
|                                      |                    |       |                  |            |                        | 1000Ω                  | 2650Ω | 1000Ω                       | 2650Ω |
| Inside Wire or 523A Plug Lead in Set | Ring Tip Grd Spare | R     | L2               | L2         | L1                     | L1                     | L1    | L1                          |       |
|                                      |                    | G     | L1               | L1         | L2                     | L2                     | L2    | L2                          |       |
|                                      |                    | Y     | G                | G          | G                      | G                      | G     | G                           |       |
|                                      |                    | BK    | *                | *          | *                      | *                      | *     | *                           |       |
| Line Switch                          |                    | S     | L2               | L2         | L2                     | A                      | A     | A                           | A     |
| Ringer Leads (Notes 1 And 3)         | R                  | L2    | L2               | L2         | K                      | B                      | B     | G                           |       |
|                                      | BK                 | L1    | G                | G          | G                      | B                      | B     | K                           |       |
|                                      | S                  | K     | K                | K          | B                      | K                      | G     | B                           |       |
|                                      | S-R                | A     | A                | A          | B                      | G                      | K     | B                           |       |

Note 1. To silence ringer for all classes of service, refer to appropriate section in Division 501.

Note 2. If bell taps on stations connected to long line equipment, use these connections to retain tip party ground identification.

Note 3. When grounded ringer arrangements are used on 96 volt long line circuits, a D-180036 ringer isolator must be used.

\* Insulate and store

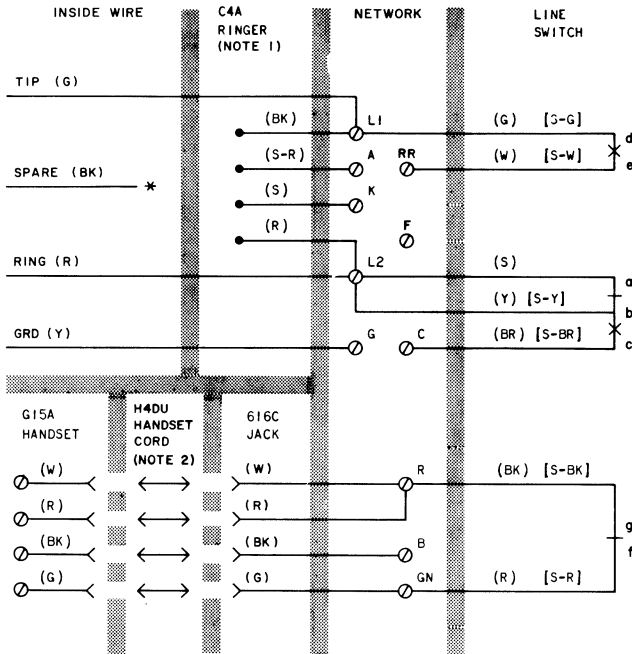


NOTES:  
 1. WIRED FOR BRIDGED RINGING REFER TO TABLE A FOR ALL OTHER CLASSES OF SERVICE.  
 2. MOVE (W) [S-W] LEAD FROM F TO RR FOR MANUAL SERVICE.  
 ( ) CURRENT COLOR CODE  
 [ ] MD COLOR CODE  
 DP DIAL PULSE  
 ON OFF NORMAL

\* INSULATED AND STORED

Fig. 1—554A/B (MD) and 554F (MD) Telephone Sets, Connections

SECTION 502-521-410

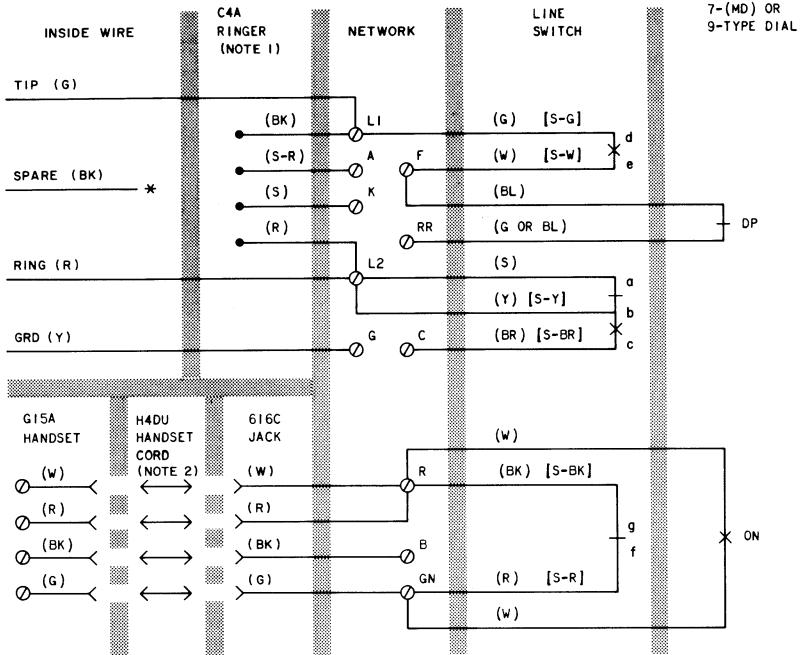


NOTES:

1. WIRED FOR BRIDGED RINGING. REFER TO TABLE A FOR ALL OTHER CLASSES OF SERVICE.
  2. H4DU HANDSET CORD MUST BE ORDERED SEPARATELY.
- \* INSULATED AND STORED

( ) CURRENT COLOR CODE  
 [ ] MD COLOR CODE

Fig. 2—554AM (MD) Telephone Set, Connections



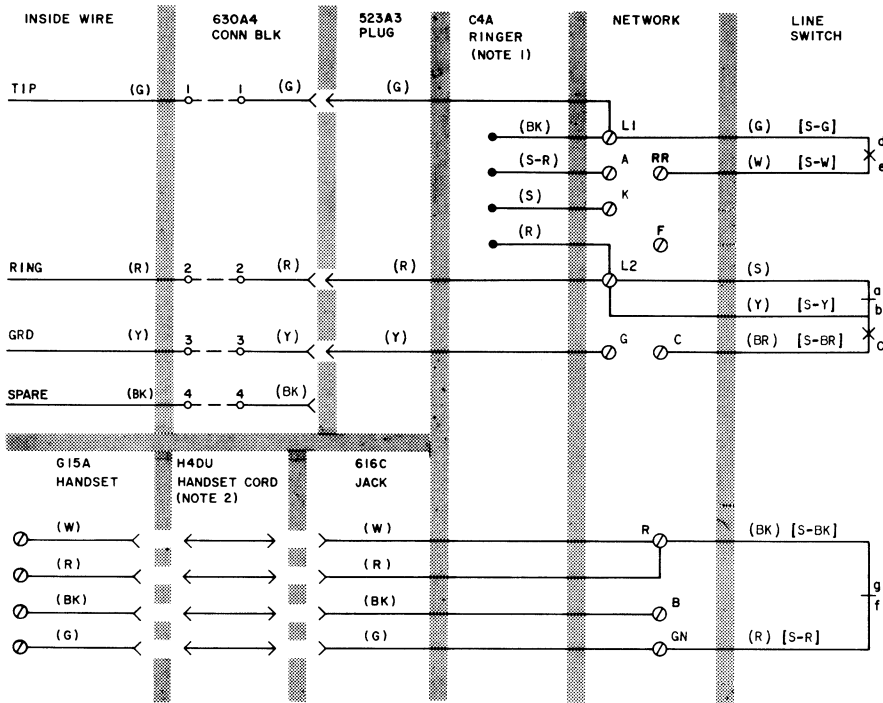
NOTES:

- 1. WIRED FOR BRIDGED RINGING. REFER TO TABLE A FOR ALL OTHER CLASSES OF SERVICE.
- 2. H4DU HANDSET CORD MUST BE ORDERED SEPARATELY.

- ( ) CURRENT COLOR CODE
- [ ] MD COLOR CODE
- DP - DIAL PULSE
- ON - DIAL OFF-NORMAL

Fig. 3—554BM (MD) Telephone Set, Connections

SECTION 502-521-410

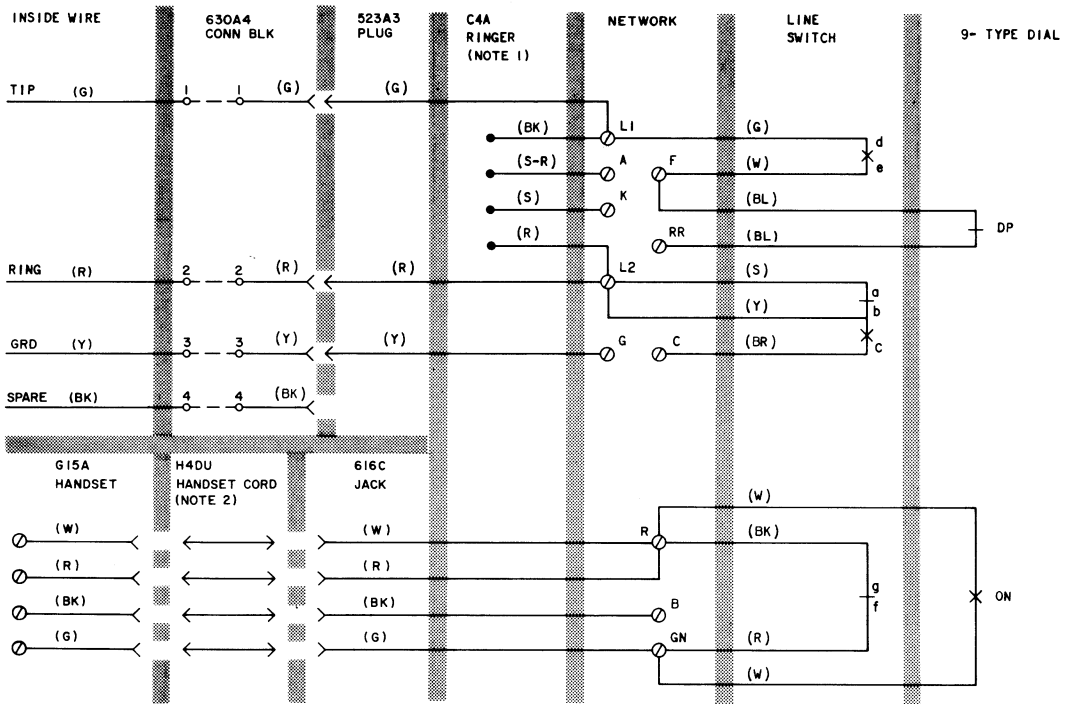


NOTES:

1. WIRED FOR BRIDGED RINGING. REFER TO TABLE A FOR ALL OTHER CLASSES OF SERVICE.
2. H4DU HANDSET CORD MUST BE ORDERED SEPARATELY.

( ) CURRENT COLOR CODE  
 [ ] MD COLOR CODE

Fig. 4—554AMP (MD) Telephone Set, Connections

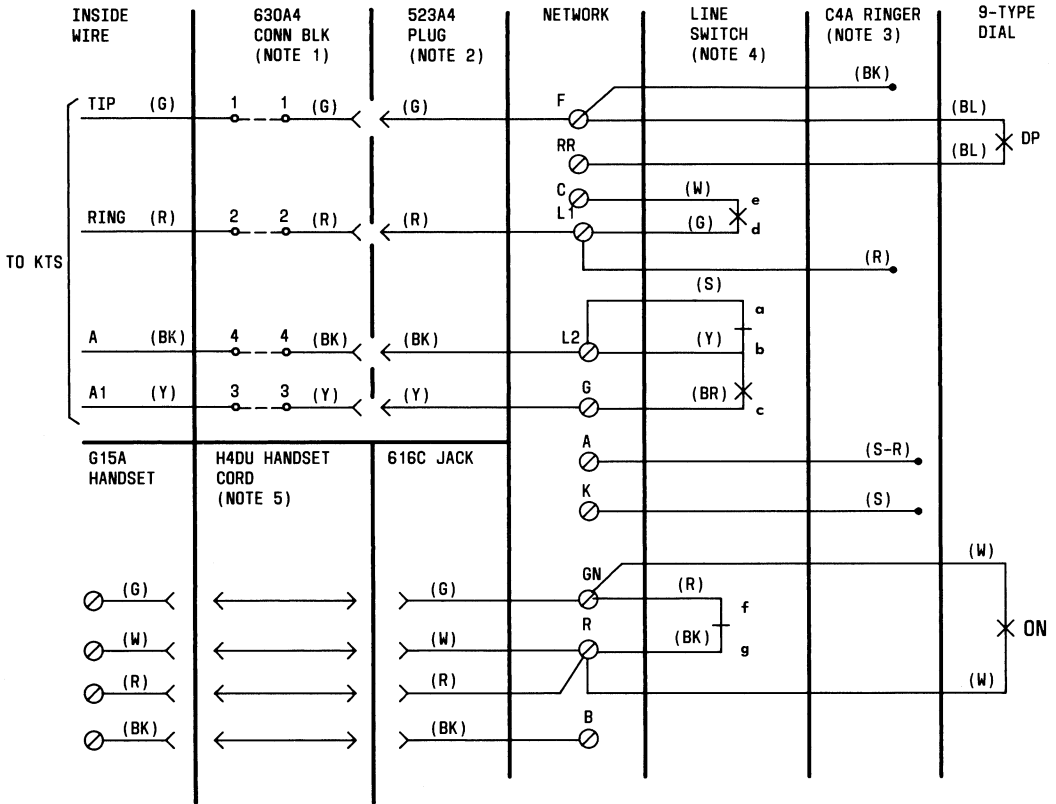


NOTES:

1. WIRED FOR BRIDGED RINGING. REFER TO TABLE A FOR ALL OTHER CLASSES OF SERVICE.
2. H40U HANDSET CORD MUST BE ORDERED SEPARATELY.

DP - DIAL PULSE  
ON - DIAL OFF-NORMAL

Fig. 5—554BMP Telephone Set, Connections



SET MODIFICATION

| LEAD        | COLOR | FROM | TO |
|-------------|-------|------|----|
| 523A4 PLUG  | G     |      | F  |
|             | R     |      | L1 |
|             | Y     |      | G  |
|             | BK    |      | L2 |
| LINE SWITCH | W     | F    | C  |
|             | BR    | C    | G  |
| RINGER      | R     | L2   | L1 |
|             | BK    | L1   | F  |

NOTES:

1. QUICK CONNECT TERMINALS ON 630A4 CONNECTING BLOCK.
2. REPLACE 523A3 PLUG WITH 523A4 PLUG. ORDERED SEPERATELY.
3. WIRED FOR INDIVIDUAL OR BRIDGED RINGING.
4. TO PREVENT FALSE HOLD CONDITION WHEN GOING ON-HOOK. THE RING CONTACTS OF THE LINE SWITCH MUST BREAK BEFORE "A" LEAD CONTACTS. (FIELD ADJUSTMENT OF LINE SWITCH NOT RECOMMENDED).
5. H4DU CORD MUST BE ORDERED SEPERATELY.

DP-DIAL PULSE  
ON-OFF NORMAL

Fig. 6—554BMP Telephone Set Modified for A-Lead Control